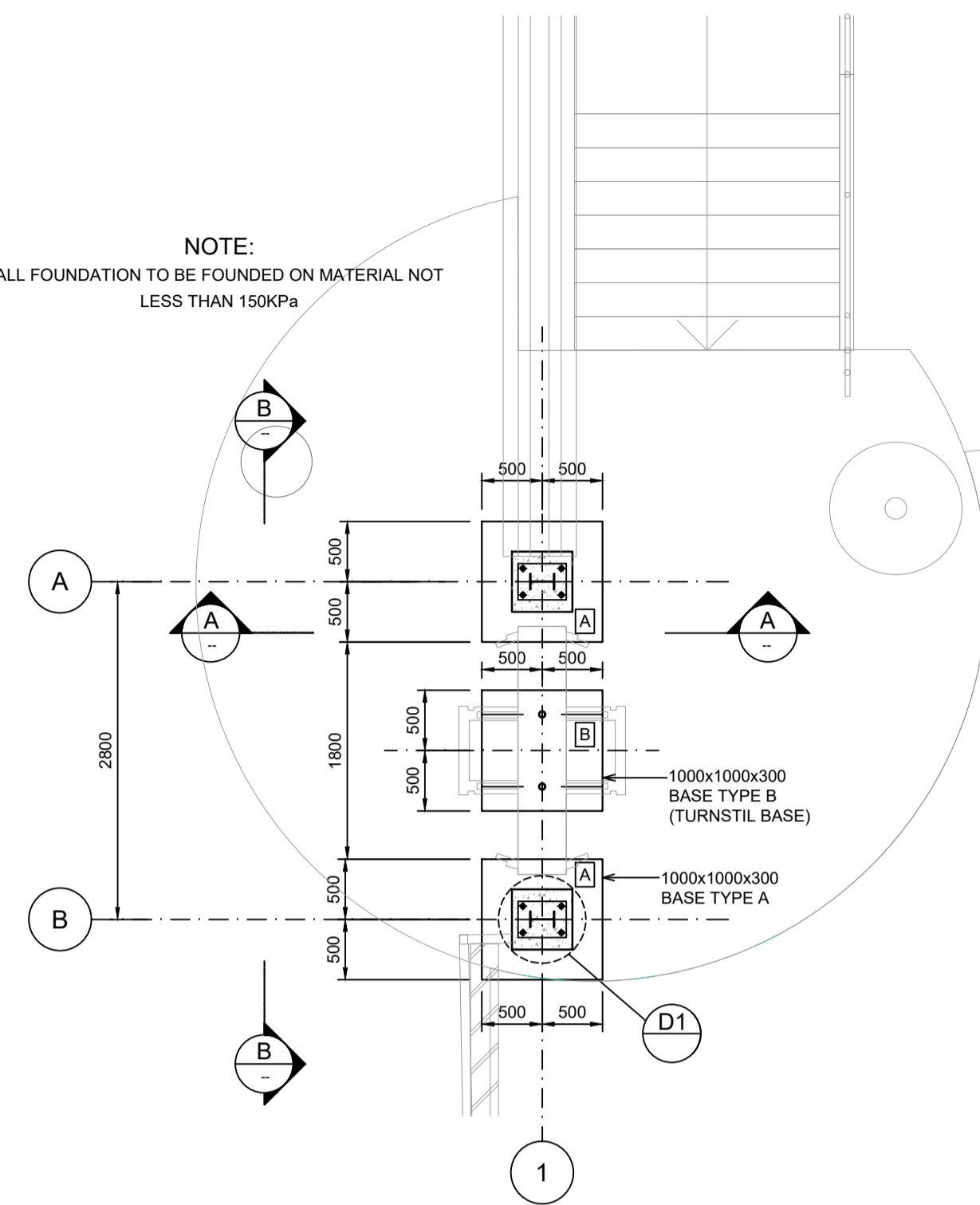
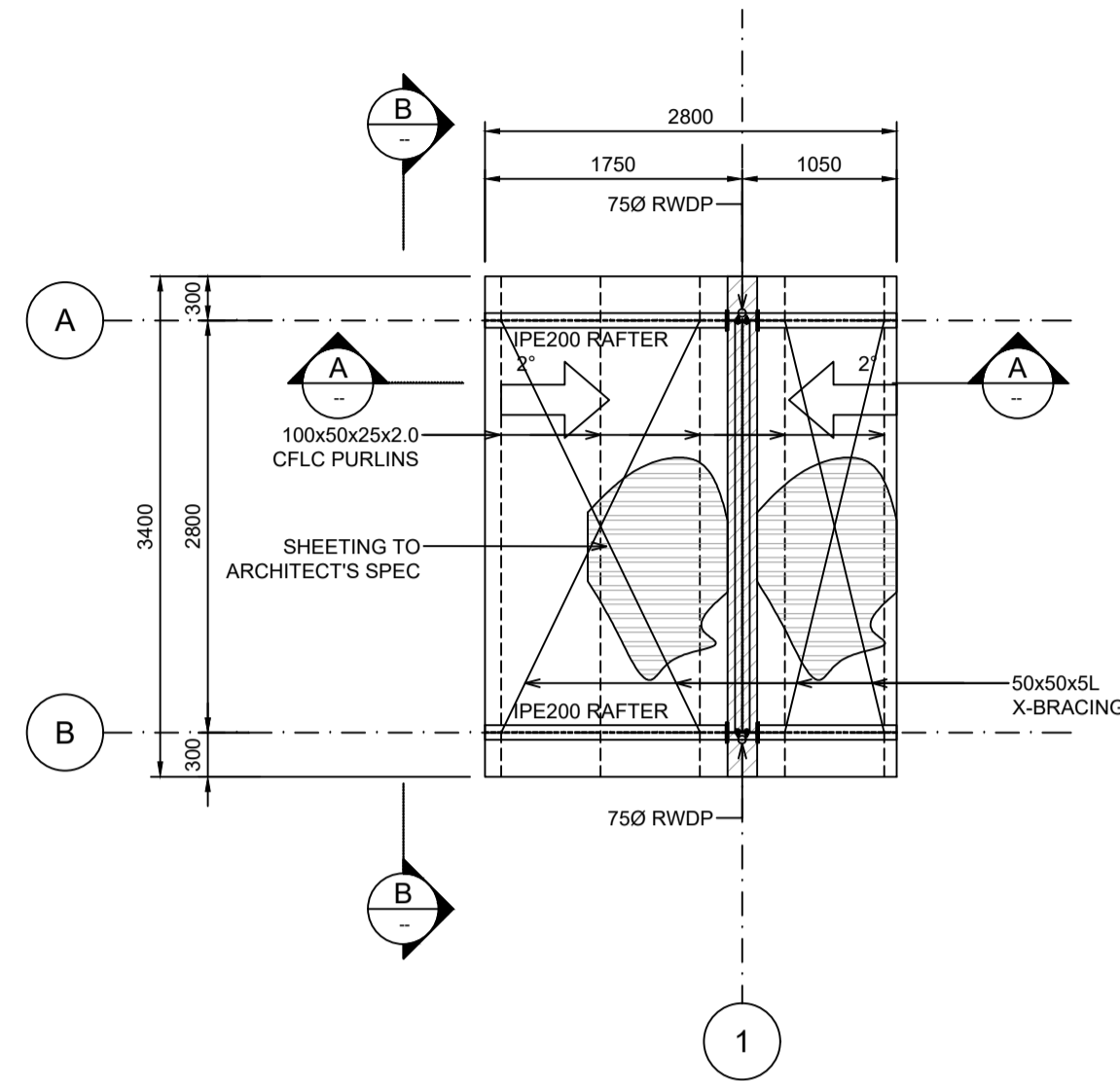


NOTE:
ALL DIMENSIONS TO BE CONFIRMED ON SITE PRIOR TO
COMENCEMENT OF CONSTRUCTION OR FABRICATION

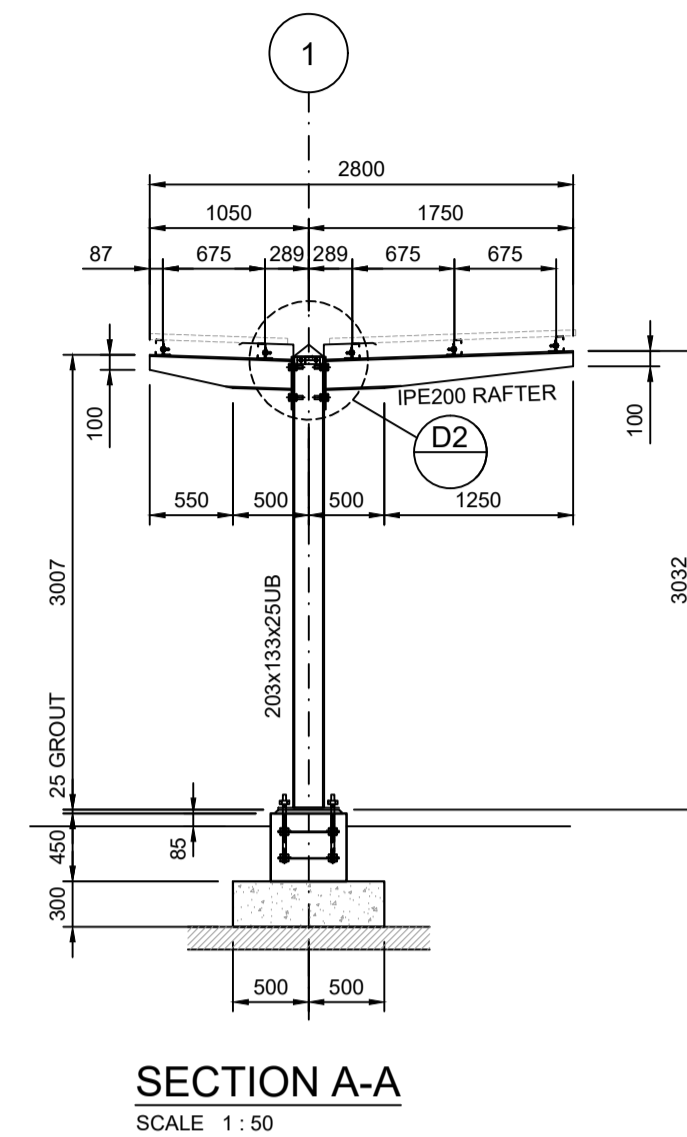
NOTE:
ALL FOUNDATION TO BE FOUNDED ON MATERIAL NOT
LESS THAN 150KPa



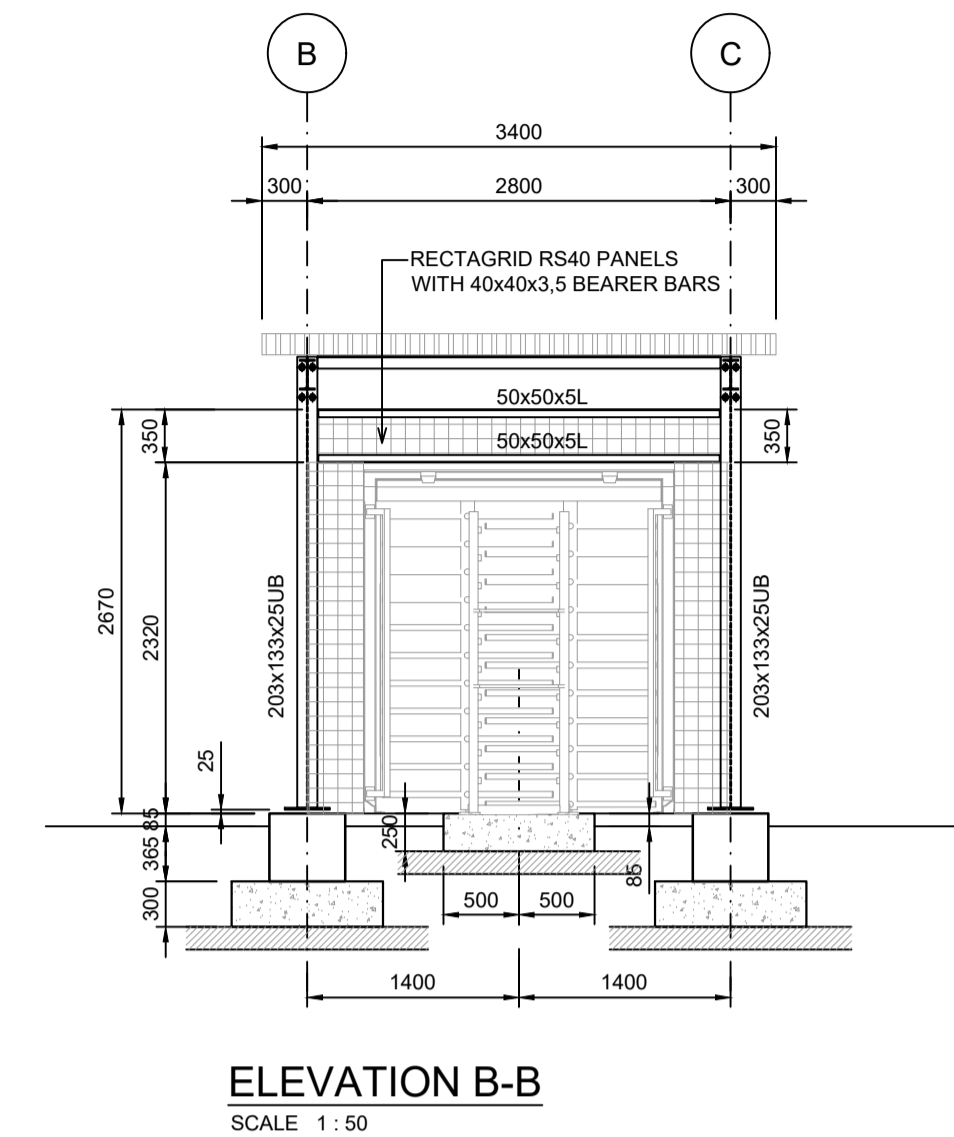
**FOUNDATION PLAN - PEDESTRIAN ACCESS
AT NEW STAIRCASE AT ROAD LEVEL**
SCALE 1:50



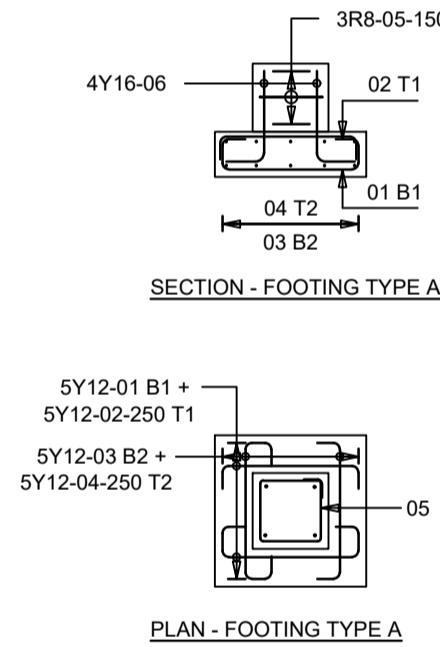
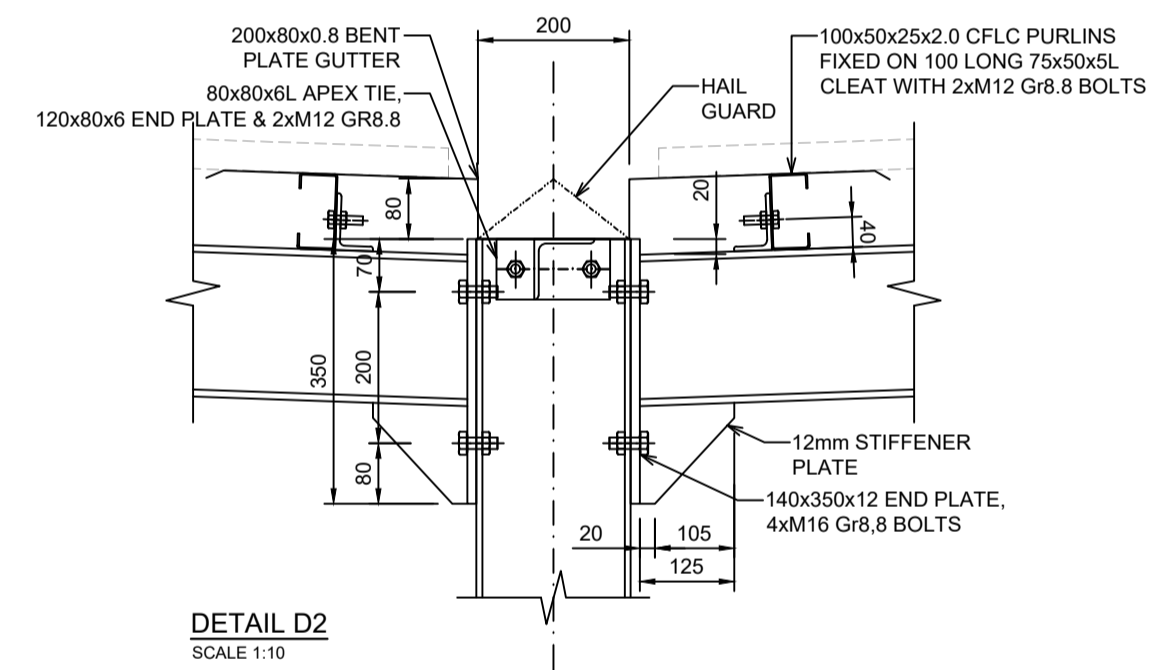
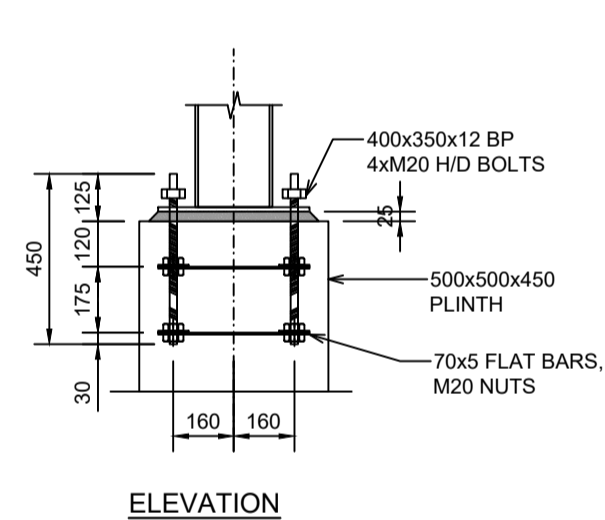
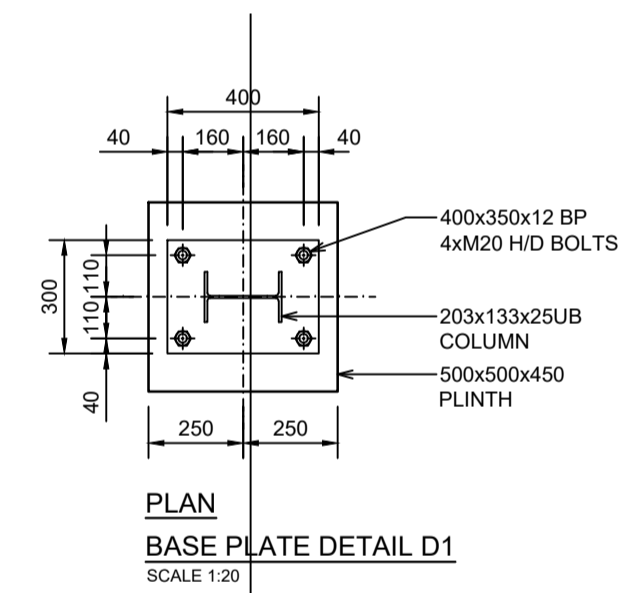
**ROOF PLAN - PEDESTRIAN ACCESS
AT NEW STAIRCASE AT ROAD LEVEL**
SCALE 1:50



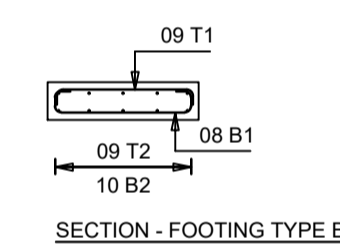
SECTION A-A
SCALE 1:50



ELEVATION B-B
SCALE 1:50



PLAN - FOOTING TYPE A



PLAN - FOOTING TYPE B

MEMBER	No OF	BARS PER MEMB	DIA.	LENGTH	TOTAL NUM-BER	MARK	S	C	BENDING				
									A	B	C	D	E/r
FOOTING TYPE A	2	5	Y12	1500	10	01	55	150	200	900	200	150	
	5	Y12	1150	10	02	38	150	900	150	150	150		
	5	Y12	1450	10	03	55	150	170	900	170	150		
	5	Y12	1150	10	04	38	150	900	150	150	150		
	3	R8	1750	6	05	60	400	400	400	400	400		
4	Y16	800	8	06	37	250	600	600	600	600			
FOOTING TYPE B	5	Y12	1250	5	08	55	100	140	900	140	100		
	10	Y12	1050	10	09	38	100	900	100	100	100		
	5	Y12	1250	5	10	55	100	125	900	125	100		
8	10	12	16	20	25	32	40	TOT	Date	2023-05-06			
R	4								4	Det. by	T.M		
Y			67	10					77	Ref Dwg			
TOT	4		67	10					81	Job No			
FOOTING REINFORCEMENT									Revision	0			
									Schedule No	R-006			

CLIENT'S DETAILS



REVISIONS

NR	DATE	APPROVED	DESCRIPTION	PAR
0	15/06/2023	JKM	ORIGINAL	

NOTES:

1. THIS DRAWING IS TO BE READ IN CONJUNCTION WITH SABS 1200 STANDARDIZED SPECIFICATIONS AND THE PROJECT SPECIFICATIONS.
2. PRIOR TO THE START OF CONSTRUCTION, ALL SERVICES WHICH ARE TO BE CROSSED MUST BE EXPOSED BY HAND TO CONFIRM THEIR POSITIONS AND LEVELS. ANY DISCREPANCY IS TO BE IMMEDIATELY REPORTED TO THE ENGINEER.
3. A FULL SET OF MATERIAL TESTS (COMPACTION, CBR & UCS) REFLECTING COMPLIANCE WITH THE SPECIFICATIONS IS TO BE SUBMITTED TO THE ENGINEER FOR ONWARD TRANSMISSION TO THE EMPLOYER.
4. INTERSECTION SERVICES TO BE EXPOSED, POSITIONS RECORDED AND ANY CLASHES IN POSITION WITH THE WORKS TO BE REPORTED TO THE ENGINEER PRIOR TO THE COMMENCEMENT OF CONSTRUCTION.

CONSULTANT'S DETAIL



DESIGNED

NAME: B.N NKOKO
SIGNATURE: [Signature] DATE: 17/10/2023

DRAWN
NAME: T.M MOKOENA
SIGNATURE: [Signature] DATE: 17/10/2023

CHECKED
NAME: B.N NKOKO
SIGNATURE: [Signature] DATE: 17/10/2023

INFORMATION OFFICE CHECKED
NAME: TG MOENG
SIGNATURE: [Signature] DATE: 17/10/2023

DESIGN OFFICE APPROVAL
NAME: J.K MOKOISANE
SIGNATURE: [Signature] DATE: 17/10/2023

CONTRACT No.

JDA.10.198.A.2022

PROJECT No.

-

SHEET No.

-

PAPER SIZE

A1

SCALE

-

DATE:

15/06/2023

LOCATION OF PROJECT

WYNBERG, CITY OF JOHANNESBURG, REGION E OF METRO.

DESCRIPTION OF PROJECT:

WATT STREET PRECINCT (WYNBERG) PUBLIC ENVIRONMENT UPGRADES

DRAWING DESCRIPTION.

PEDESTRIAN ACCESS - NEW STAIRCASE AT ROAD LEVEL
FOUNDATION & ROOF LAYOUT, SECTIONS AND DETAILS

DRAWING No.

JDA-WATT-PEU/STG004/006S

PROJECT STATUS

INCEPTION	DESIGN DEVELOPMENT	TENDER DRAWING	APPROVED CONSTRUCTION DRAWING	AS BUILT DRAWING
PROJECT ENGINEER OF JOHANNESBURG DEVELOPMENT AGENCY (JDA):				
NAME		SIGNATURE		
Prof Reg No.		DATE		
INSPECTOR OF WORKS OF JOHANNESBURG DEVELOPMENT AGENCY:				
NAME		SIGNATURE		
		DATE		

